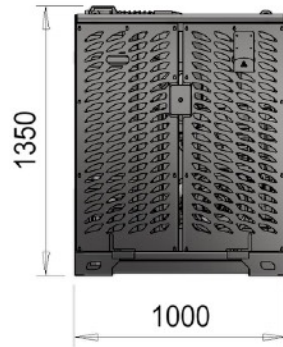


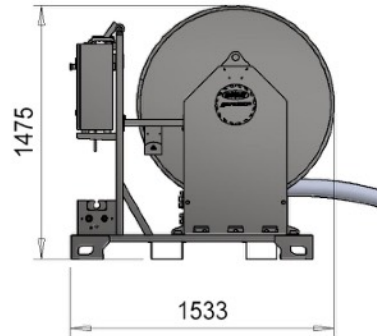
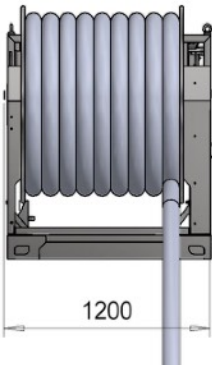
THE BULL

THE NEW TOOL FOR DREDGING AND UNDERWATER CLEANING



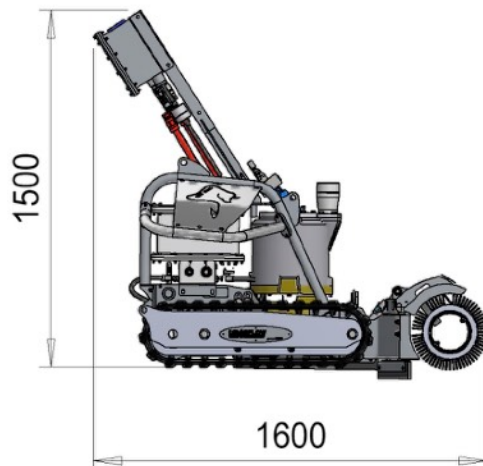
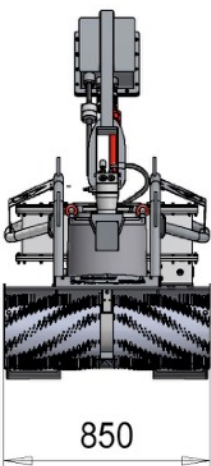
HYDRAULIC POWERPACK MAIN FEATURES:

- Equipped with Yanmar diesel engine (37 kW)
- STAGE 3A
- Frame and canopy completely built in AISI304 Stainless Steel
- Ready for Safety Integrity Level 2
- Max oil flow rate 80 L/min
- Max oil pressure 250 bar



SPOOLER MAIN FEATURES:

- Hydraulic and electric combined umbilical
- Max length 75 m
- Self-floating umbilical
- Frame and hoist completely built in AISI304 Stainless Steel



ROV MAIN FEATURES

- Complete hydraulic actuation
- HY18 Dragflow pump - High Capacity and High solid handling
- Completely built in AISI304 Stainless Steel
- Available with brush or auger as optional cleaning tool